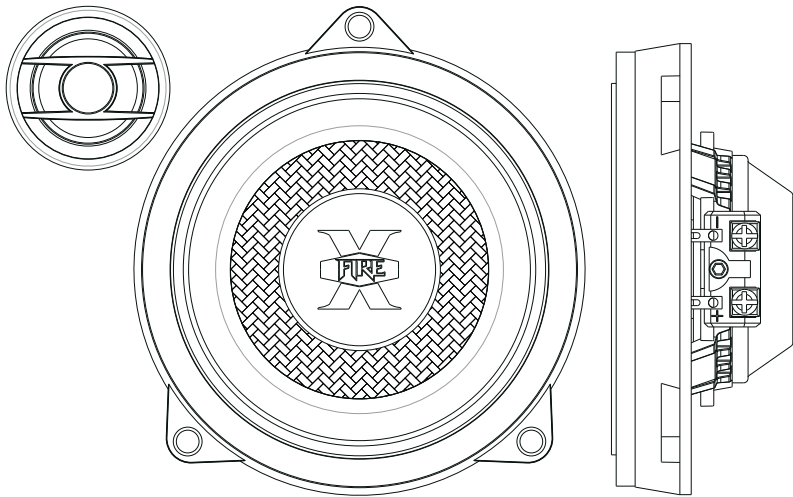


XFIRE

AUDIO

Precision Driven Audio
Hear What You've Been Missing



BMW425
4" OEM Component System
For BMW and MINI
Owners Manual

XFIREAUDIO.COM

Precision Driven Audio

Introduction

Congratulations on purchasing one of the finest autosound OEM loudspeaker replacement systems available today. XFIRE AUDIO OEM Series Components are forged from rigorous pursuits of exceptional sound, strength, performance, and style. With our relentless pride and passion combined with 30 plus years of experience in the 12 volt industry we are proud to welcome you to the XFIRE AUDIO family.

It's Your Music, It's Your Style, It's Your Life, AMPLIFIED!

Purchase and serial number information. Record your new **XFIRE AUDIO** product information for future reference.

Purchase date	
Retailer	
Model #	
Serial #	

Welcome to **XFIRE AUDIO** "The New Breed Of Mobile Audio".

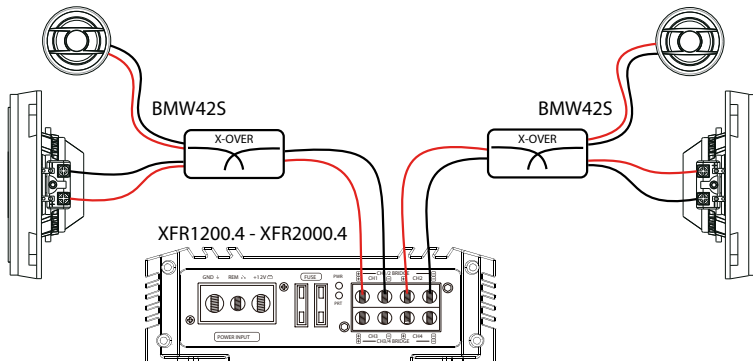
Features

XFIRE AUDIO OEM Series Components redefine the boundaries of sonic euphoria with lush, crystal clear image and dynamics the way music was intended to be heard.

- Specially formulated glassfiber cone coupled with ASV voice coil
- Shallow mount 4" midrange with OEM chassis
- XFIRE neodymium motor structures
- Butyl rubber surround
- 25mm soft dome tweeter with OEM chassis

XFIRE AUDIO OEM Series Components; Precision Driven Audio, Hear What You've Been Missing!

Wiring diagram



Precision Driven Audio

Specifications

	BMW42C
RMS Power	75W
Max Power	300W
Impedance	4Ω
Response	85Hz-25kHz
Sensitivity	83.7dB
Recommended HP X-over Frequency	110 - 200Hz
Midrange Diameter	4"(100mm)
Midrange Mounting Depth	1.0"(25mm)
Tweeter Diameter	1.0"(25mm)

All specifications are subject to change without notification due to continual product improvements.

Installation

XFIRE AUDIO OEM Series Components are designed for high quality sound systems. To get the highest performance from your XFIRE AUDIO OEM Components we recommend:

- To use 2-channels of an XFIRE AUDIO XFR1200.4 or XFR2000.4 amplifier to power the BMW42S system.
- Make sure the active High Pass filter of the amplifier channels driving the BMW42S system is adjusted to the recommended frequency (see specifications above).

How to install the BMW42S:

- 1 Unscrew the door panels from the front doors of the car, check that you unscrew all hidden screws too.
- 2 Now carefully unclip all the clips of each door Panel.
- 3 Disconnect the power windows connector, the door light and the door handle and take off the door panels.
- 4 Unscrew the original speaker, disconnect the wires of the speaker and take out the speaker.
- 5 Take out the original tweeter and disconnect and take away the original tweeter wires.
- 6 Use damping material to prevent resonance of the doors and door panels.
- 7 Connect the speaker wires to the BMW42S x-over and run the output wires of the x-over to the midrange and tweeter locations.
- 8 Install the BMW42S midranges and tweeters in the original locations and connect the wires coming from the x-over.
- 9 Run the following wires from the XFIRE AUDIO amplifier to the under seat woofer locations:
 - 1 set Amplifier Input wires - connect to the two thicker wires (plus and minus)
 - Amplifier Door Speaker output wires - connect to the two thinner wires (plus and minus)
 - Amplifier Woofer Speaker output wires - connect directly to the BMW80W woofers
- 10 Install the door panels back and stick the included XFIRE logo's on the original grills.

Precision Driven Audio



XFIRE AUDIO limited warranty.

U.S.A. warranty: 90 days. (1 year if installed by an authorized dealer.)

What is covered: This warranty applies only to XFIRE AUDIO products sold to consumers by authorized dealers in the U.S.A. Products purchased by consumers from an authorized dealer in another country are covered only by that country's distributor.

Who is covered: The original purchaser of XFIRE AUDIO product bought from an authorized dealer in the U.S.A. To receive warranty, the original purchaser must provide a copy of the receipt with customer name, dealer, XFIRE model purchased with the date of purchase. Please retain all receipts for warranty purposes should they be needed. Warranty is not transferable.

Products found to be defective during the warranty period will be replaced (with a product deemed equivalent) at the discretion of XFIRE AUDIO.

What is NOT covered:

- Abuse (including burnt voice coils) improper installation, operating product other than which it was designed, water damage, theft, product damage from vehicle accidents, or shipping damages.
- Any costs incurred for removal or reinstallation.
- Any product with altered, defaced or removed serial numbers.
- Damage to other components.
- Products purchased from unauthorized dealers, retailers or internet sites.

Buyers beware of the Internet. ANY XFIRE AUDIO product bought online that is NOT from an AUTHORIZED dealer will void any and all warranty. Limit on implied warranties: Any implied warranties including warranties of fitness for use and merchantability are limited in duration to the period of the express warranty set forth above. Some states do not allow limitations on the length of an implied warranty, thus limitations may not apply. No person shall assume for XFIRE AUDIO any other liability in connection with the sale of products.

Obtaining warranty: Contact your local authorized dealer.

Should you need additional assistance please email XFIRE AUDIO : salesusa@xfireaudio.com or call us 855-77-XFIRE.

© 2016 XFIRE AUDIO ® LLC. All rights reserved.

"XFIRE AUDIO", "LIFE AMPLIFIED", and "THE NEW BREED OF MOBILE AUDIO" are either registered trademarks or trademarks of XFIRE AUDIO LLC.