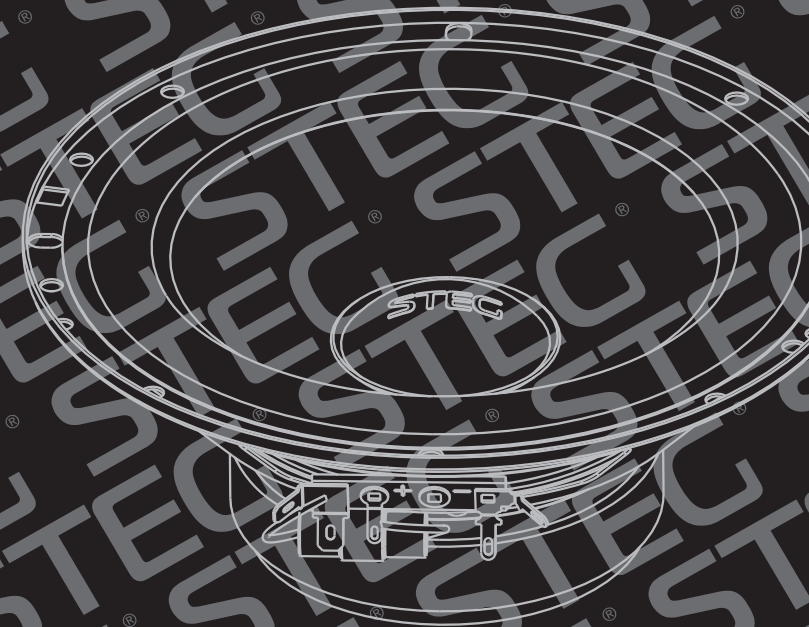


MI

COMPONENT SPEAKERS

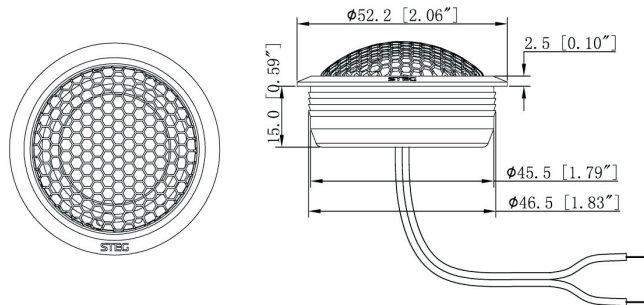
ML 653C

Installation Instructions

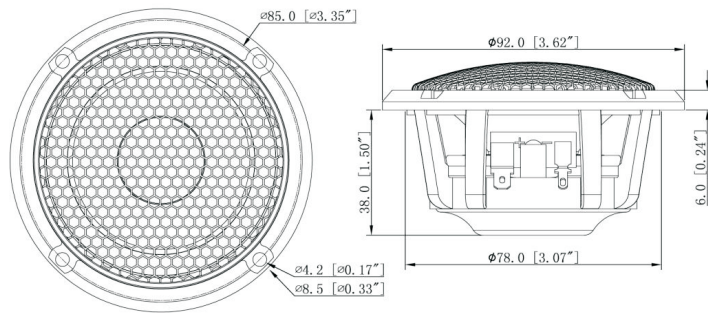


- 感谢您的阅读
- Thanks for your review

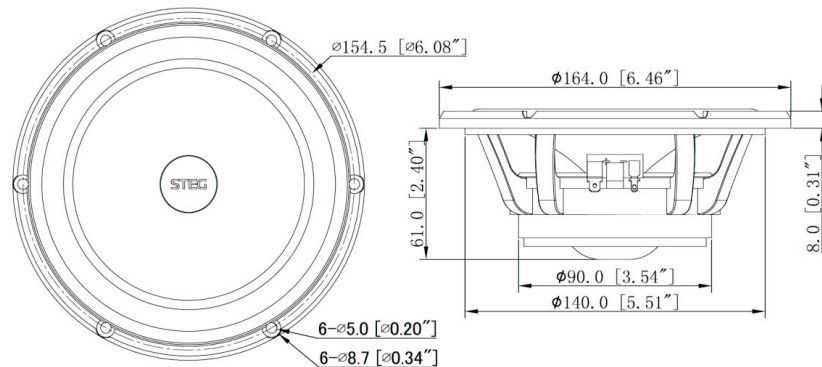
高音安装尺寸:



中音安装尺寸:



低音安装尺寸:



高音技术参数:

膜片材质: 特多龙
 音圈尺寸: 25mm
 直流阻抗: 3.6 Ω
 持续功率: 20 W
 频率响应: 1300-22000Hz
 灵敏度: 90 dB
 重量: 92g
 安装深度: 17 mm
 安装直径: 47 mm

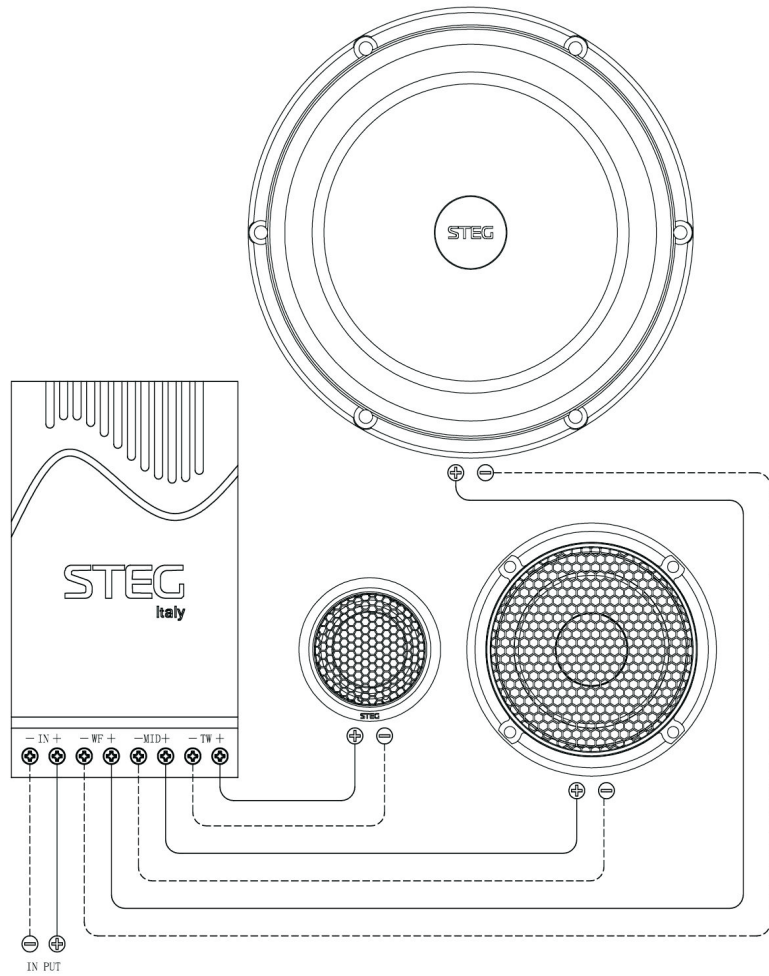
低音技术参数:

鼓纸材质: 复合音盆
 音圈尺寸: 25.5mm
 持续功率: 60 W
 频率响应: 65-6.5KHz
 直流阻抗: 3.0 Ω
 Fo: 65Hz
 SPL: 88 dB
 Sd: 128.6 cm²
 Bl: 4.3Tm
 Qms: 4.43
 Qes: 0.87
 Qts: 0.72
 No: 0.336%
 Vas: 11Ltr
 Cms: 474.3uM/N
 Mms: 12.8g
 Mmd: 11.9g
 重量: 0.91kg
 安装深度: 64 mm
 安装直径: 142 mm

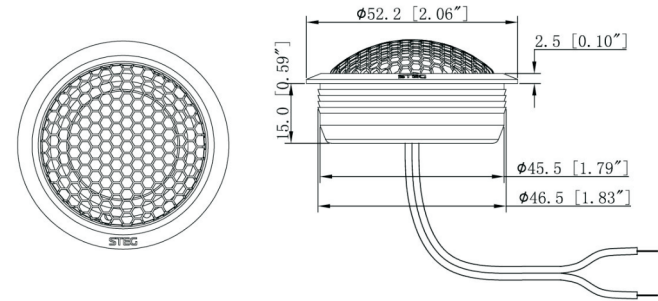
中音技术参数:

鼓纸材质: 复合音盆
 音圈尺寸: 25mm
 直流阻抗: 3.6 Ω
 持续功率: 30W
 频率响应: 100-15000Hz
 SPL: 85 dB
 Qms: 3.78
 Qes: 1.13
 Qts: 0.87
 Vas: 1.61Ltr
 有效振动质量: 4.3g
 重量: 0.225kg
 安装深度: 41 mm
 安装直径: 79 mm

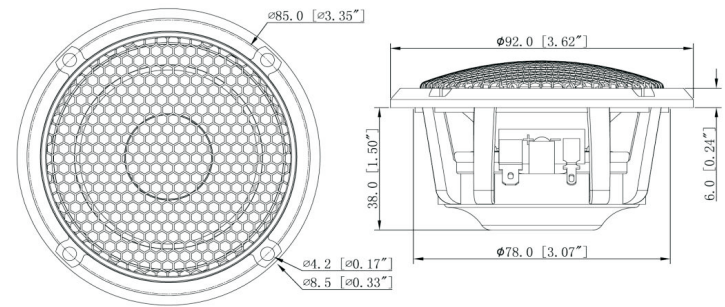
成品连接图：



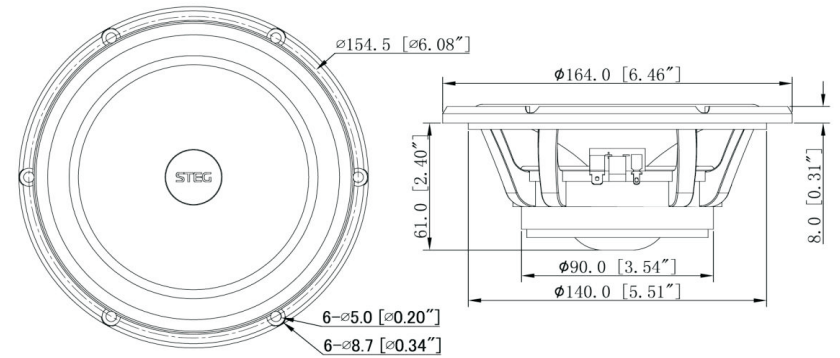
Tweeter installation size:



Midrange installation size:



Woofer installation size:



Tweeter technical parameter

Cone material: Teton
Voice coil size: 25mm
DC Impedance: 3.6 Ω
Rated power input: 20 W
Frequency response: 1300-22000Hz
SPL: 90 dB
Weight: 92g
Mounting Depth: 17 mm
Mounting Diameter: 47 mm

Midrange technical parameter

Cone material: Composite coner
Voice coil size: 25mm
DC Impedance: 3.6 Ω
Rated power input: 30W
Frequency response: 100-15000Hz
SPL: 85 dB
Qms: 3.78
Qes: 1.13
Qts: 0.87
Vas: 1.61 Ltr
Weight: 0.225kg
Mounting Depth: 41 mm
Mounting Diameter: 79 mm

Woofers technical parameter

Cone material: Composite cone
Voice coil size: 25.5mm
Rated power input: 60 W
Frequency response: 65-6.5KHz
DC Impedance: 3.0 Ω
Fo: 65Hz
SPL: 88 dB
Sd: 128.6 cm²
Bl: 4.3Tm
Qms: 4.43
Qes: 0.87
Qts: 0.72
No: 0.336%
Vas: 11 Ltr
Cms: 474.3 u M/N
Mms: 12.8 g
Mmd: 11.9 g
Weight: 0.91 kg
Mounting Depth: 64 mm
Mounting Diameter: 142 mm

Product connection diagram:

